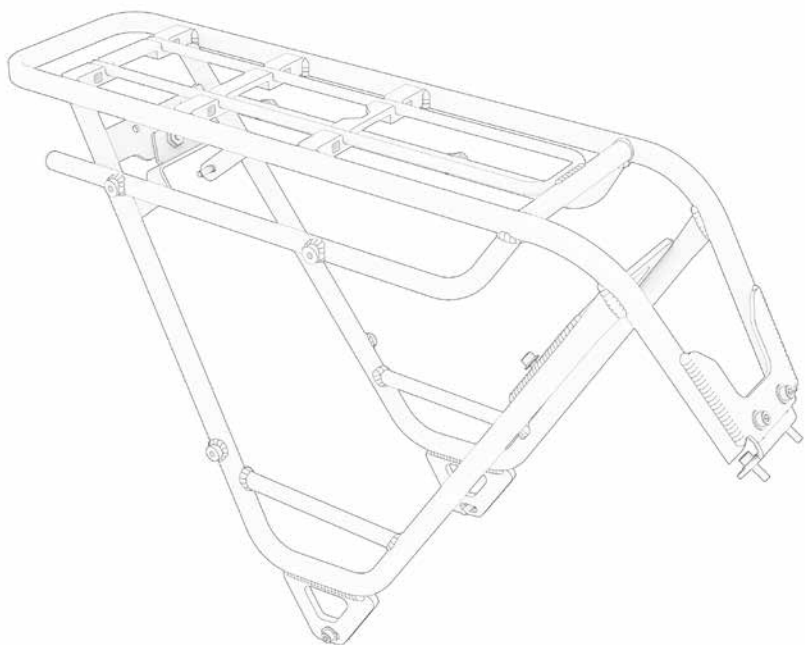


Rear Rack Assembly instructions



Contents

Safety notices 3
General information 4
Intended use 6
Scope of delivery 8
Installation 9
Accessory parts 14
General notes on care 18
Statutory warranty / guarantee 19
Service 19

The present assembly instructions is the translation of the original assembly instructions.

Safety notices

This user manual contains various types of notice.
The notices are designed as follows:



Danger

Potential hazards for your health and the health of your co-riders and other road users if you fail to observe the respective instructions or do not take corresponding precautions.



Notice

Provides information about how to handle the product or refers to a passage in the user manual that deserves special attention.



Caution

Warns you about incorrect behaviour that can result in material and environmental damage.



Separate instructions

Refers you to other assembly instructions for your FS200 which describe the respective assembly step in more detail if needed.

General information

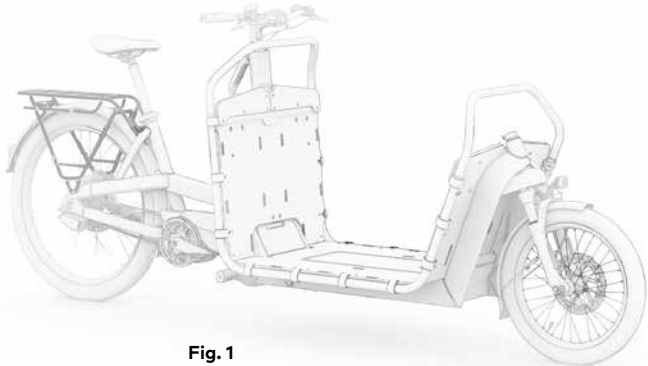


Fig. 1



Fig. 2

The FS200 can be equipped with a Rear Rack to give you even more options to transport your luggage, pannier bags or other items. Furthermore, the Rear Rack can be upgraded with accessory parts. These assembly instructions describe in detail how to install the Rear Rack as well as the accessory parts you can use. (Figs. 1 & 2)



The Rear Rack is designed and certified only for installation on the FS200 (in the dedicated location above the rear wheel). No other wheel sizes may be installed.



Equipping the bike with a Rear Rack may change its handling characteristics, in particular if carrying the maximum permitted load, and depending on how the load is fastened. Always ensure that loads are distributed evenly between both sides of the Rear Rack.



The Rear Rack conforms to ISO 11243. It is certified for a maximum additional load of 25 kg and is not suitable for the transport of persons, including children. Also, the Rear Rack is not suitable for installing a child seat or trailer on it.

Furthermore, the permissible overall weight of the vehicle (225 kg) may not be exceeded.

Intended use



Check that all required parts are included in the scope of delivery. Check that you have the tools required for installation and observe the instructions and information in the assembly instructions.



Please protect the Rear Rack from abrasion at all its contact points (e.g. by using bag fasteners, protective film or abrasion protectors). Insufficiently fastened bags can rub on the rack, resulting in premature wear on the Rear Rack and the bags themselves.



Structural modifications to the Rear Rack are not permitted. Any structural modification represents a safety risk and therefore violates the warranty conditions.



You can add reflectors and lights to the Rear Rack. Please make sure that these are not covered by the load and remain clearly visible.



Bicycle frames and Rear Racks are subject to manufacturing tolerances. To make up for these tolerances, the fasteners have oblong holes. If these are not able to compensate for tolerances, please contact the Ca Go service team. We cannot completely preclude that frames from earlier production batches have different tolerances in some individual cases which make installing the Rear Rack more difficult or even impossible.

The width of the Rear Rack at the mounting stays toward the dropout has a tolerance of +/-5 mm.

It is permitted to bend the Rear Rack open at this spot with very slight force or to pull it tight via the screw connection.



Do not forget to check the fasteners of your load on the Rear Rack before every ride and to secure them accordingly.



The load must be secured to and on the Rear Rack for transport. This can be done using one of the integrated systems, MIK® and QL3.1®. Alternatively, lashing straps and elastic cords can also be used. In any case, it is important to make sure that the load is securely connected with the Rear Rack in order to preclude load alteration effects during the ride. Furthermore, it is important to make sure that no loose ends of the load or lashing straps can reach into moving parts on the vehicle, such as spokes or the belt drive.



Use the Rear Rack only after you have made sure that it has been technically correctly installed.

Scope of delivery

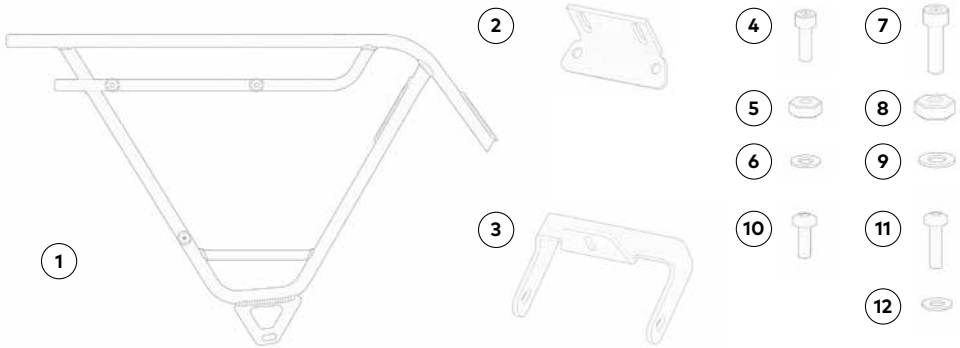


Fig. 3

Rear Rack

- 1 **FS200 Rear Rack** 1 piece
 incl. Quick Lock knobs (QL3.1®) 6 pieces
 for mounting compatible bike bags, such as those from Ortlieb

Installation set

- 2 **Connection plate (front)** 1 piece
- 3 **Mudguard connection plate (rear)** 1 piece
- 4 **Cylinder head bolt M5 (DIN 912 A2 M5 x 14)** 3 pieces
- 5 **Nut, self-locking M5 (DIN985 A2 M5)** 5 pieces
- 6 **Washer for M5 (DIN125 A2 M5)** 6 pieces
- 7 **Cylinder head bolt M6 (DIN 912 A2 M6 x 20)** 2 pieces
- 8 **Nut, self-locking M6 (DIN985 A2 M6)** 2 pieces
- 9 **Washer for M6 (DIN125 A2 M5)** 4 pieces
- 10 **Round head screw M5 x 14 (DIN 7380 8.8 T25)*** 2 pieces
- 11 **Round head screw M5 x 20 (DIN 7380 8.8 T25)*** 2 pieces
- 12 **Washer for M5 (DIN 125 140HSFG SZ M5)** 4 pieces

*Original screws of mudguard stays of the Hebie Wingeer mudguard

Installation

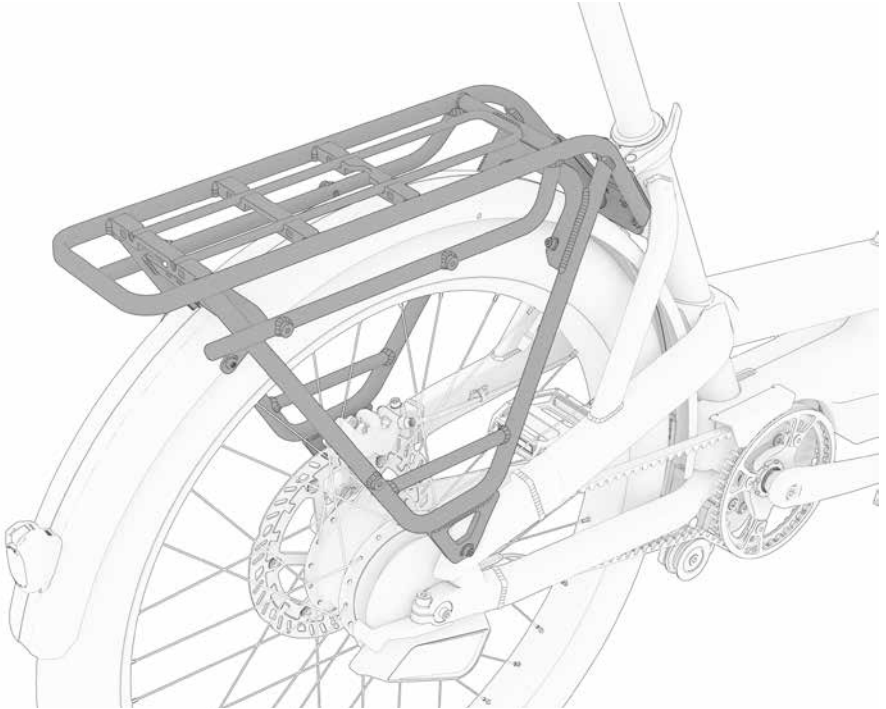


Fig. 4

The Rear Rack is fastened to the dedicated bolting points on the frame. These are located in the upper area, centrally on the mounting plate between the seat stays, as well as in the lower area on the left and right, on both rear drop-outs (Fig. 4).

After removing the original Hebie Wingee mudguard stays, the mudguard is fastened to the dedicated fastener on the Rear Rack.

Step 1: Removing the mudguard stays

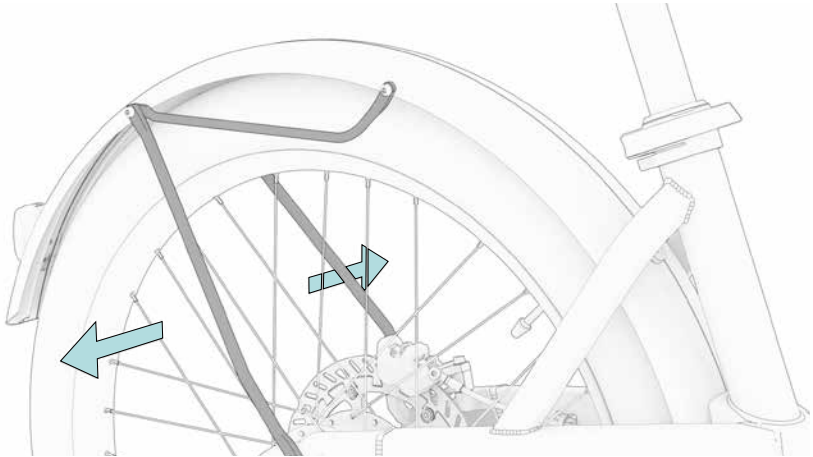


Fig. 5

The mudguard stays of the Hebie Wingee mudguard are mounted to three bolting points each on the left and right sides and are removed using a Torx 25 key to free up the bolting points for fastening the mudguard on the Rear Rack. Use the dedicated connection plate ③ for this (Figs. 5, 6, 7).

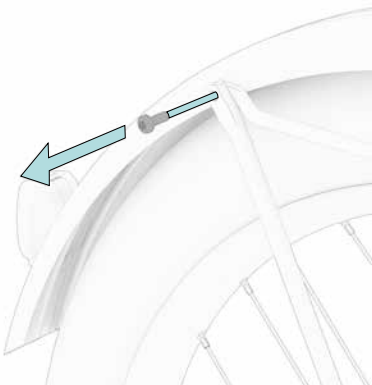


Fig. 6

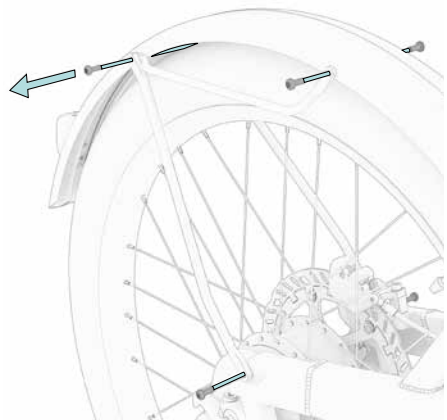


Fig. 7

Step 2: Installing the Rear Rack

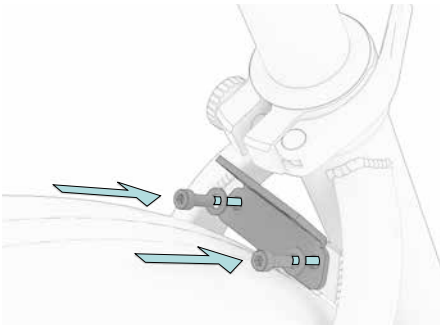


Fig. 8

To install the Rear Rack, first fasten the front connection plate to the frame, using two M6 cylinder head bolts (7), M6 self-locking nuts (8) and four M6 washers (9).

Tighten the bolts only slightly at first (Fig. 8) to be able to compensate for tolerances via the oblong holes at a later time.

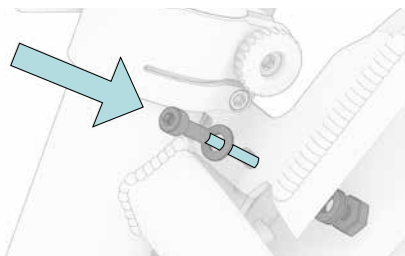


Fig. 9

Now install the Rear Rack on the connection plate with two M5 cylinder head bolts (4), M5 self-locking nuts (5) and four washers (6).

Make sure to tighten this connection only slightly as well initially (Fig. 9).

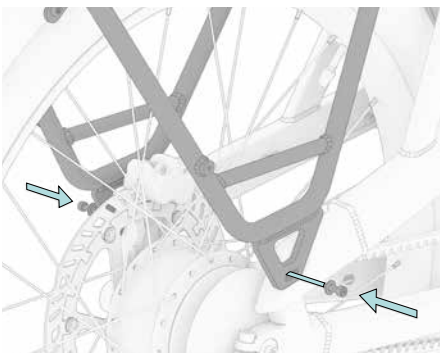
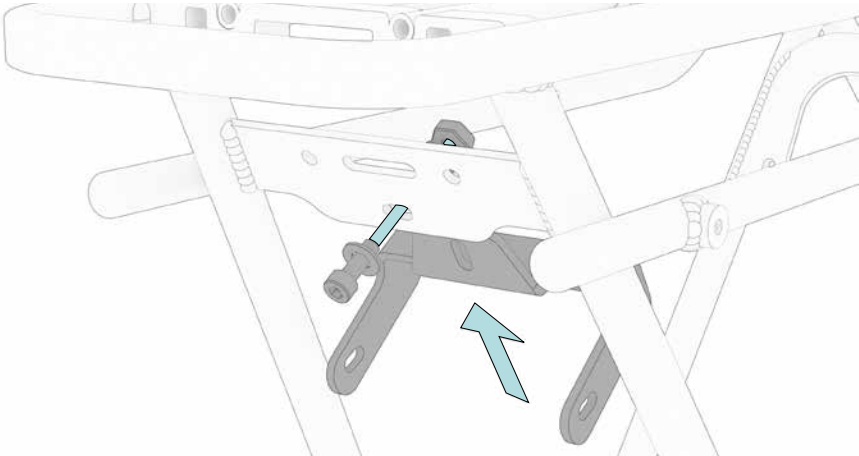


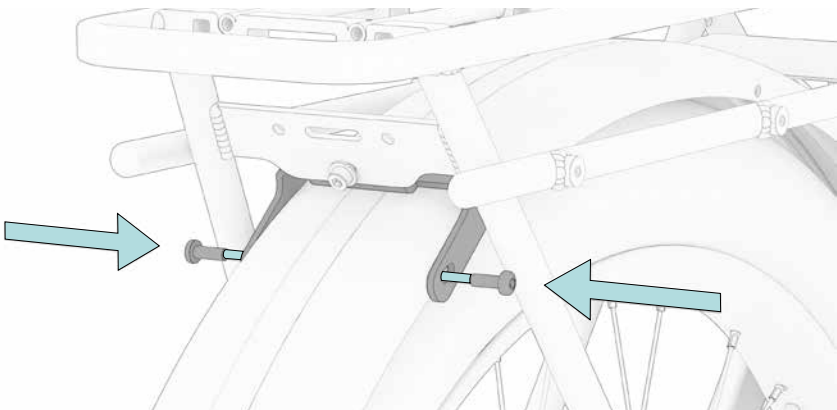
Fig. 10

Following this, the two bottom stays of the Rear Rack can be screwed on, from the left and right, respectively, using M5 round head screws (Torx 25) (11) and washers (12).

Again, do not fully tighten the screws as yet, since this will be done during the fine adjustment and setting of tolerances in the following steps (Fig. 10).

Step 3: Fastening the mudguard**Fig. 11**

Fasten the connection plate for the mudguard to the Rear Rack. To do this, use the M5 cylinder head bolts (4), self-locking nuts (5) and washers ((6) x 2 pcs.). As the final step, the mudguard can be mounted to this structure using the M5 round head screws (x14) (10) and washers (12) (Figs. 11 and 12).

**Fig. 12**

Step 4: Fine adjustment and tolerances

The Rear Rack can now be aligned and positioned via the oblong holes to compensate for tolerances. Ensure the Rear Rack is positioned level, centrally and straight. Following this, the bolts and screws can be fully tightened at all connection points.



Please observe the tightening torques:

M5	4–5 Nm
M6	7 Nm



Safety notice for bolt and screw connections

Observe the thread engagement for bicycle frames:

The thread projection must not exceed 5 mm and must not interfere with any component of the bicycle (wheel, belt drive system, steering, etc.).

Accessory parts

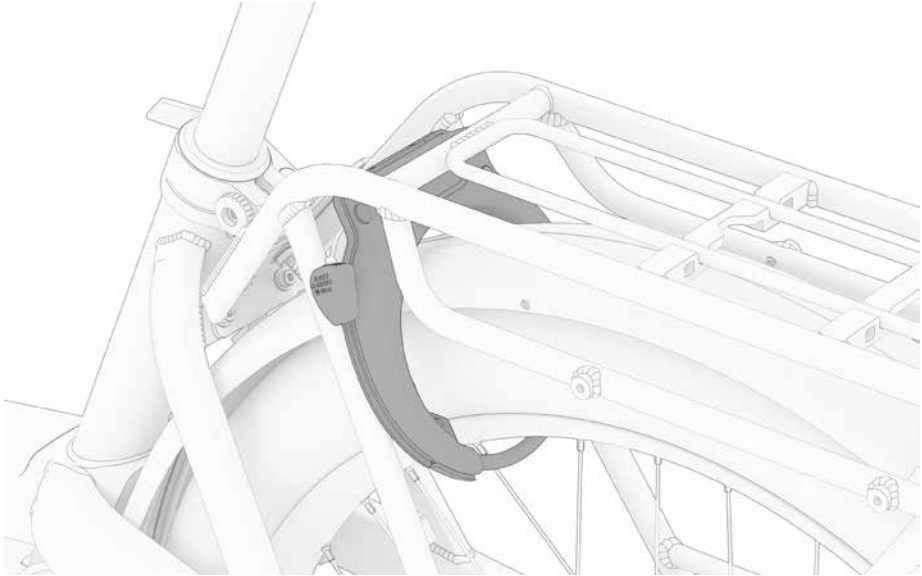


Fig. 13

The FS200 Rear Rack is equipped with a mount for the ABUS 4650 XL frame lock (Fig. 13). The frame lock can be installed on the dedicated bolting points (Figs. 14, 15, 16).

Installation is possible by using the bolts, nuts and washers (④; ⑤; ⑥) or equivalent fasteners. To install the frame lock, it must be threaded over the mudguard from the rear.

Installation from above is not possible due to the confined space. This step is therefore best performed after removing the Hebie Wingee mudguard stays and before installing the Rear Rack.

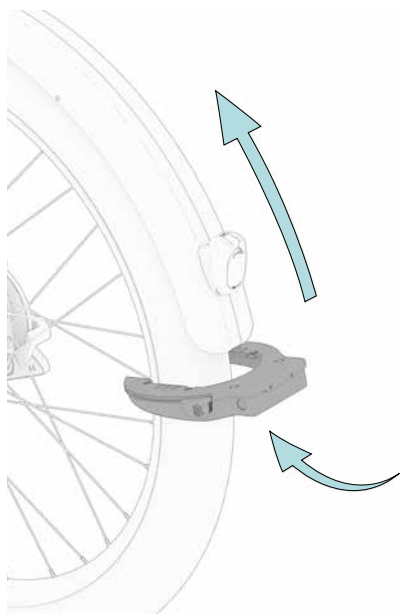


Fig. 14

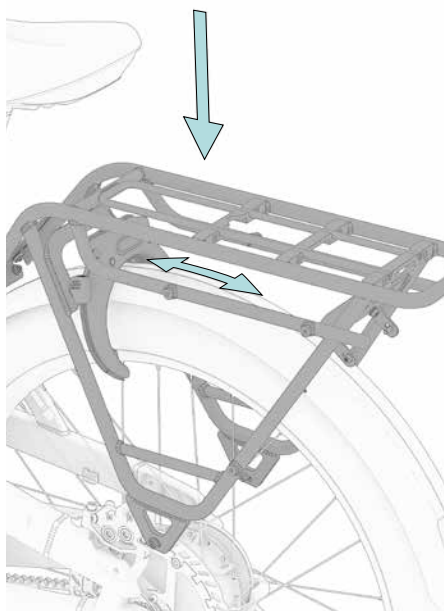


Fig. 15

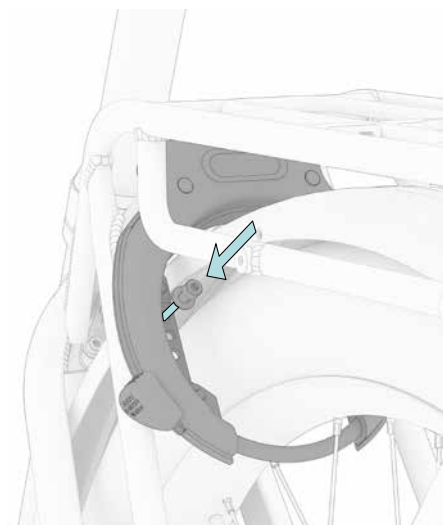


Fig. 16



Regarding the use of the frame lock, observe the manufacturer's instructions of use and technical information.



Fig. 17

The Ortlieb QL3.1 system:

The FS200 Rear Rack has bolting points that accept the QL3.1 system by Ortlieb (Fig. 17). These points are used to fasten bags equipped with this fastening system. The Quick Lock knobs can be removed if they get in the way of fastening different types of bags.

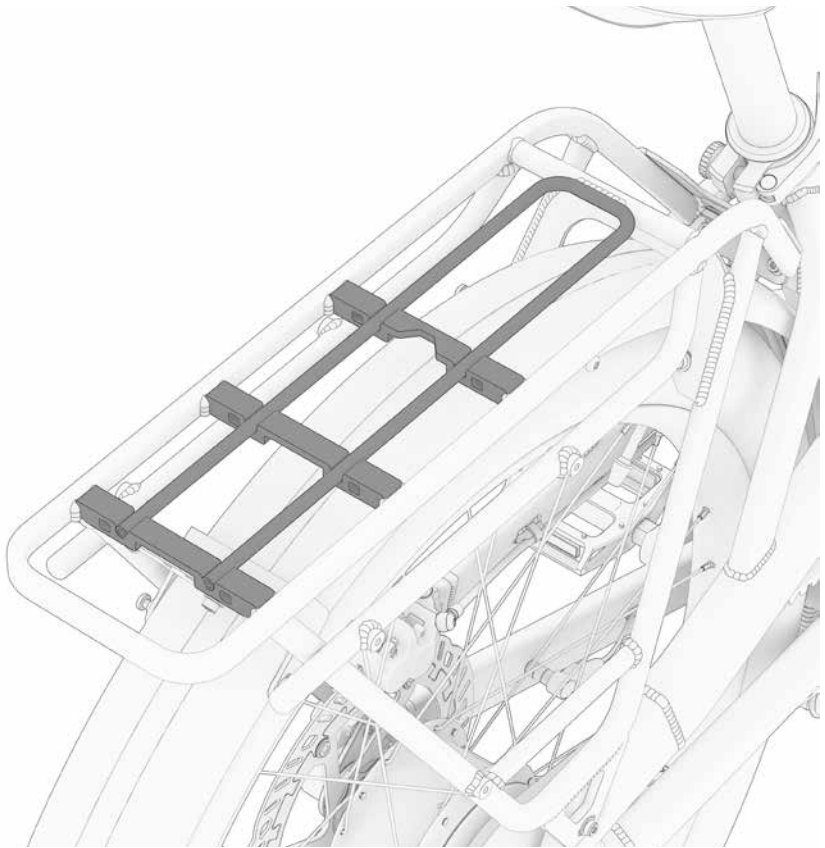


Fig. 18

The MIK system:

The FS200 Rear Rack has MIK ('mounting is key') interfaces to which any MIK-compatible accessory part can be fastened quickly and with ease. The MIK system thus enables the use of a large variety of accessory parts distributed by various manufacturers.

You can find more information on the MIK system and participating manufacturers at <https://www.mik-click.com>.

General notes on care

The best way to wash your FS200 Rear Rack is with clear water and a moist cloth.

If needed, you can use a mild detergent, such as dishwashing liquid or hand soap.

Statutory warranty / guarantee

The legal statutory warranty applies. You can find more details on the warranty on our website: www.cagobike.com/en/warranty

Export to the USA and Canada is not permitted (product liability)!

Service

If you have questions concerning this user manual, please contact your Ca Go dealer or your Ca Go service team.



Published by:

Ca Go Bike GmbH

Am Autobahnkreuz 7

56072 Koblenz

Germany

+49 261 914090-600

info@cagobike.com

www.cagobike.com

Managing directors: Franc Arnold

Company register

Court of record: District Court Koblenz / register no.: HRB 26998 / VAT Id no. DE326206636

Responsible for distribution and marketing of the user manual: Ingo Kahnt

Ca Go Bike GmbH reserves the right to change product specifications without prior notice.

Typographical errors, mistakes and modifications reserved. Version of 03/2023

©Reproduction, reprint and translation, as well as any use for economic purposes (including as extracts, in print or electronic form) without prior written approval is forbidden.